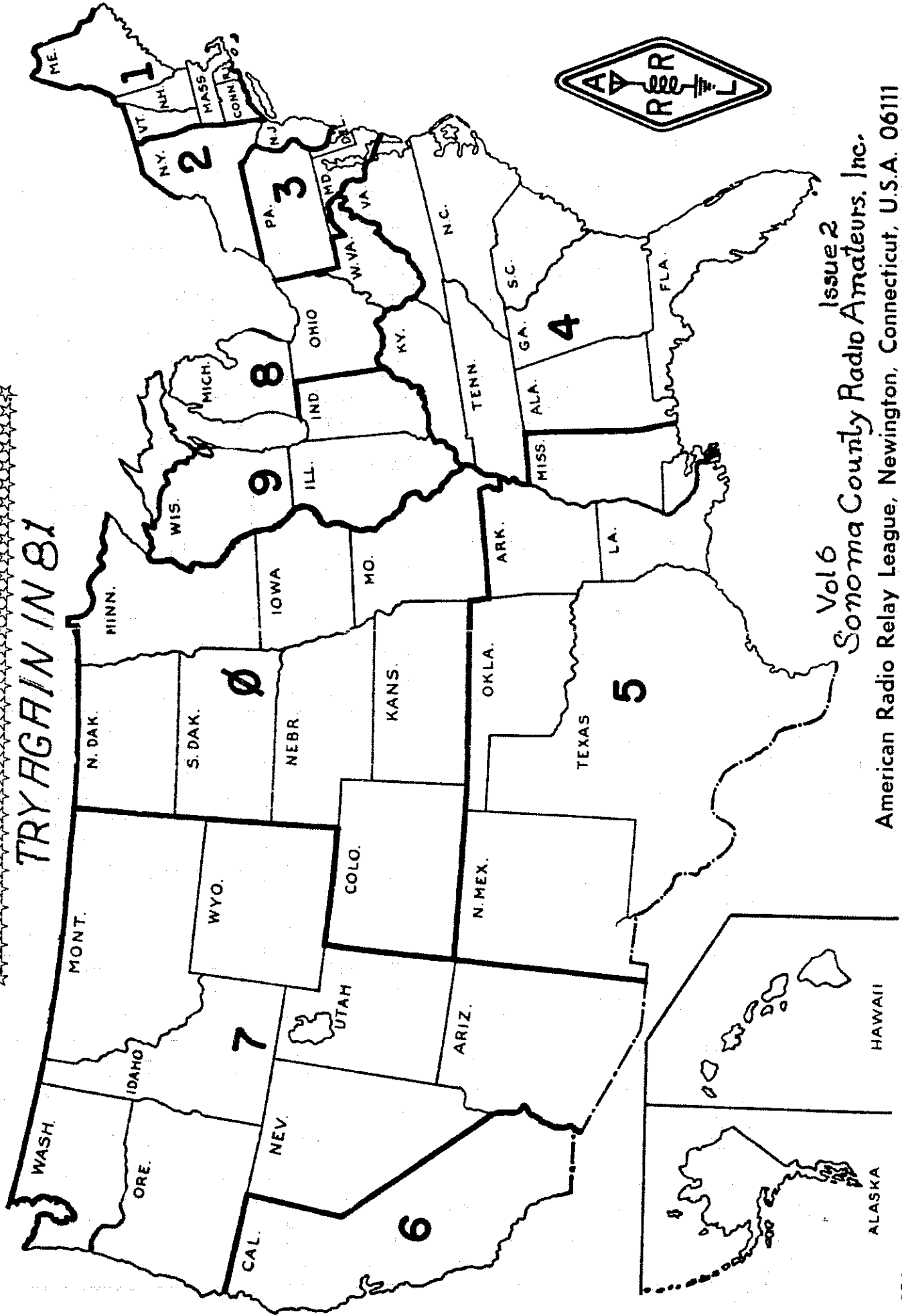


SHORT SKIP

ARRL WAS MAP

TRY AGAIN IN 81



Issue 2
Sonoma County Radio Amateurs, Inc.

American Radio Relay League, Newington, Connecticut, U.S.A. 06111

CLUB OFFICERS

President: Len Gerald: K6ANP
795-4335
V. Pres.: Lyman Wiltshire
WB6SMY 833-2000
Tres.: Bob Olsten WD6DPE
546-5593
Sect.: Doug Stewart
N6DHT 523-2118
Board: Alan Bloom N1AL
527-0840
Steve Schaffer
KD6GC 546-8860
Chuck Sabin
N6DDK 795-2371

Short Skip:

Hank Davis
W6DTV 823-7885
Lyle Meek
N6BLN
Chod Harris-VP2ML
DX Watch
Don Bremmer-KB6LO
Contributing
Davis Kulcinski
Printer-WD6AJR

Joe KA6ISB

Club Call W6LFJ
Club Meeting Feb. 4, 81--3400
Chanate Rd. Childrens Day Treat
ment Center. Brown Bldg. Phone
527-3101.

COMMITTEES

Mobile Communications Unit.
Doug Stewart 523-2118
N6DHT
Educational.
Gary Davis 528-4304
WA6PMN
Explorer Post-599
Mike Ter Sarkisoff N6DBZ
823-8977
Mini Expedition
Don Bremmer, KB6LO 546-7047
Lyle Meek, N6BLN, 829-2026
Reno Raffle
Geo Shedore, KS6W, 528-0201
Jim Tomer, W6CYM, 838-9464
If you can help or have any ideas
for any of the above please call.

Have you paid your dues? March issue of Short Skip is Cutoff.

PRESIDENT'S CORNER

Amateur Radio exists because it qualifies as a service. Our continued existence depends to a great degree not on the service we have performed in the past, or on our potential for service, but on what we are performing now and will continue to perform in the future. Keeping this principle in mind, I would like to remind all members, the officers of this Club continue to solicit ideas, suggestions, and ACTIVE support from the general membership. Let's not fall into the trap of doing the doer's to Death. The Demands spread among the multitude would result in reasonable expectations from each individual. In simple terms, each person should be willing to tote their own mail bag. Lets see some positive reaction when the call is made for the volunteers. See you all at the next meeting.

Len-K6ANP

NOTES FROM THE BOARD MEETING

After some talk on other committees it was decided that the Ways and Means Committee would be another function of the board. Any and all ideas from anyone are more than welcome. KA6JJV Has been added to the Reno Trip Committee.

Note: Farmer's Lane Radio Shack donated a set of plyers for the raffle at the Jan. meeting. If you are out Shopping remember FLRS.

Our Mini Expedition is on hold until cheaper insurance can be found. At present it will cost \$300.00 for 24hrs of Liability insurance. Any one know of a place to get it cheaper, if so call Don KB6LO, and let him know.

Lyman, WB6SMY, is parts manager of the Clubs Parts House. He needs help. If you need some part let him know and on his next trip to the parts house he will check and let you know.

Next month will have a program at the meeting on ARRE HDQ., W1AW.

Something new. The Tres. will try to put our Club on a business like system. Ledgers will be kept on all transactions in and out so at the end of the year we know where we are with our funds. The Tres will be one signature on all checks.

UP GRADING

Geo Wallace, New Call, N6DSW, G
Lyle Meek, Extra.
Len Gerald, Extra.
Sid Grift, KA6KXI, Tech.

Dues are due and payable. March
issue of Short Skip is cutoff.

DXCC RULES

Rule 12, Operating Ethics of
the DXCC RULES has been modified
after discussion by the DX Adv-
isory Committee and ARRL AWARDS
COMMITTEE TO READ AS FOLLOWS:

A. Fair play and good sportsman-
ship are required of all DX Cent-
ury Club Members. In the event
of Specific Objections relative
to continued poor operating

Ethics. An individual may be
disqualified from the DXCC by
Action of the ARRL Awards Comm-
ittee,

B. Credit for Contacts with ind-
ividuals who have displayed con-
tinued poor operating Ethics may
be disallowed by action of the
ARRL AWARDS COMMITTEE.

C. For A and B above, operating
includes conformation procedures.
ARRL RTTY BUL.

NOTE

WB6NBR, now keeper of the
Club Call Book for 1981. Call him
at night by phone, 545-3813, or
day time on 13/73.

TRY IT YOU MIGHT LIKE IT

To clean old surplus variab-
le capacitors or switches made of
brass etc., mix vinegar and water
with a detergent or 409. Soak
item in solution for a period of
time. Use old tooth brush to
help remove skum. After cleaning
blow dry with your wives hair dry-
er. Works.

MORE ON PETITIONS FOR RULEMAKING

- 3426-Increase waiting period to 60 days
after failing ham exam.
- 3454-Allow reciprocal credit between ama-
teur and commerical test.
- 3455-Allow mail exams for U,S. citizens
living abroad.
- 3456-Exam credit to former holders of
amateur licenses.
- 3458-Change amateur sub-bands so upgrad-
ing is more attractive.
- 3474-Allow unattended automatic control
of beacons and restruct beacon
operation power and frequencies.
- 3522-Require notification of harmful
interference.
- 3541-Provide "Grandfather Rights".
- 3565-Allow general class lowest 25KHz
of 80-40-20-15M bands.
- 3618-Asks that repeater users -not licen-
sees- be held responsible for the
content of user stations transmission
- 3656-Make specific 1x3 callsigns avail-
able to Extra Class hams.
- 3664-Restrict new amateur bands to ASCII,
RTTY, SSTV, mode.
- 3665-Proposal to eliminate AM use in
amateur bands.
- 3705-Expand phone privileges, +575kHz, in
HF Amateur bands.
- 3728-Requests development of 10.1-10.15
MHz band standards.
- 3729-Provide phone expansion in the 40
and 20 mtr. bands.
- 3734-Expand HF phone sub-bands in ARS.
- 3314-Grant Novices to 220 MHz.
- 3761-Requests exclusive CW sub-band 160.
Some of these may be up to 5 yrs. old
things run slow, you may want to submit
suport or against petition. From W5YI
report.

Dues

Are

Necessary

WARNING*WARNING*WARNING*

Handhelds using rechargeable nicad batteries can explode if a conductive object shorts the charging contacts on the case. This can occur when hand-helds are carried in pockets. Here pens, coins, or even pencil lead can short the charging contacts.

Hand-helds which have exposed charging contacts are more likely to be shorted than units which have the contacts inside the case or a plug-in accomodation.

When using a hand-held with a rechargeable pack, exercise care to insure that loose metallic objects are kept clear of the charging contacts. A peice of vynl tape over exposed contacts will reduce the possibility of shorting the battery. This especcially goes for extra packs you may carry during public service events.

A shorted 12V nicad pack can generate a tremendous amount of heat in a very short period of time. Give this some thought and don't risk equipment or personal safety through carelessness.

A SHOCKING STORY

When a person becomes part of an electrical circuit, the severity of the shock received is affected by three primary factors; namely, (1) the flow of current through the body, measured in amperes; (2) the pathway of the current through the body; and (3) the length of time the body is part of the circuit. No absolutes limits of known values can guage the exact injury for any given amperage. The following measurements are based on 60 Hertz, 120 volt AC, are merely levels of effect relative to amperage and reported in milliamps.

THESE FIGURES MAY COME AS A SURPRISE TO SOME OF US. IT IS WORTH KEEPING.

- LESS than 1/2 ma. No sensation
- 1/2 to 2 ma. Threshold of perception
- 2 to 10 ma. Muscular contraction
- 5 to 25 ma. Painful shock, inability to let go.
- 25 to 50 ma. Violent muscular contraction:

THOUGHT OF THE MONTH

Remember what you say over a repeater can be heard over thousands of square miles, by anyone with an inexpensive "Public Service Band" monitor. These people are potential amateurs. If they like what they hear on the air, they will want to get their licenses and join us. Don't leave them with a bad impression of Amateur Radio by making thoughtless of off-color remarks..

Have you gotten your notice for QST renewal? Are you ready to join ARRL for the first time? If so, remember that our Club gets to keep \$1.50 of your dues if you subscribe through the Club. The same is true of WORLD RADIO. This is a painless way of helping put money in the treasury.

We are an ARRL Afilliated Club and would like to see 100% membership. As you know, QST and ARRL are one and the same and also are the reason we have many of the priviledges we have, and will continue to have. It takes money to send people to Washington to act on our behalf. To some of us, it may not be perfect and we can always find fault, but it surely is the BEST support Amateur Radio has. WORLD RADIO is one of the finest Amateur news publications you can buy. Just send your renewal or application to the secretary or treasurer and they will forward them to the proper place..

QST/ARRL dues are \$18.00 per year
WORLD RADIO costs 8.64 " "

ARRL provides many benefits, such as Overseas QSL service, operating aids for your station, technical advice, Equipment insurance at very low rates, Repeater directories, world wide public relations, films and slides for clubs. So help us to help ourselves.

- *50 to 200 ma. ventricular fibrillation.
- *OVER 100 ma. Paralysis of breathing.

DON'T TAKE CHANCES

A LETTER TO THE EDITOR

Dear Hank.

I don't like to criticize anything I see in the Short Skip, since you and Lyle have been doing a great job keeping the Club members informed, but I feel that I must comment on the "Emergency First Aid" item in January's issue.

Firstly, the article does NOT describe first aid, but rather a procedure for calling for help by phone or Amateur Radio. If someone is bleeding due to an injury received in an accident, if severe enough, they could bleed to death in the time it takes for the average call for help via Amateur Radio. This is not a criticism of Amateur Radio. It is simply a fact that a severely injured victim of an accident can die in as little as 3 to 5 minutes without true first aid.

We must realize that Amateur Radio can be invaluable but it has limitations in any emergency. In the equivalent amount of time spent during an average contest weekend, ANY ham can learn CPR and basic lifesaving techniques. Learning CPR is Time well spent, and I can only urge every ham to make the investment. 73, Scott WA7UVE

Thank you Scott, Short Skip is interested in member comments as they help to improve the Club.

NOTES FROM JANUARY MEETING

Tres. Report: \$278.42 before bills. Mobile Unit needs someone to wire tail, clearance, and other lights. Reno Raf. Cost of about \$275.00 to \$300.00 plus \$68.00 for tickets. Up to board to get the ball rolling. Blood Bank-not started as yet. Education. Gary says some 40 requested novice study and 8 responded.

Mini-Exp. Still going on Club needs 24 hr. liability insurance. Cost unknown at present.

Xmas Party- Thanks to Crew.

Welcome Committee- Steve and Alan Need stick on tags. Someone offered supply.

QSL Mgr. Rod. N6CTE

NOTES FROM JANUARY MEETING. Cont.

Program Director had a very interesting slide show on H and P.

Ways and Means Comm. Needs to get going on Money raising.

Bud Lockwood raised several dollars with his give away program. First prize subscription to World Radio.

BOARD NOTES CONT.

HOME BREW CONTEST???? The board was given an idea of this type of contest. If you want one bring it up at the next meeting. CW contest at our next pot luck ???? Who knows. Transmitter Hunt??? It will not be on the same nite as a meeting, but will be held on some week end, what's your pleasure??

DX WATCH by VP2ML

An early warning: I will be operating from EASTER ISLAND, CE0A, during the month of March. Two other amateur groups will also be operating at the same time: W4PRO and N0NO. This will be an excellent opportunity to work EASTER ISLAND on every band and mode.

Pay particular notice to the Caribbean in the next two months. This is the time of year (and the kind of cold weather) that drives the US HAMS to DXpeditions in their favorite caribbean island. Be sure to find out the correct QSL information: cards sent through the bureau will seldom catch up with a one-time visitor.

Note postage. Check with the local postmaster before you buy. Be sure you include enough both going and returning.

Hot tip for February: Watch for Iraq and Cyprus (5B4KK).

You might ask Lyle N6BEN and Len K6ANP as they have been doing some DX on 40 and 80.

NOTE

If you would want a good record book for WAS or DXCC write to --

Richard M. Morley

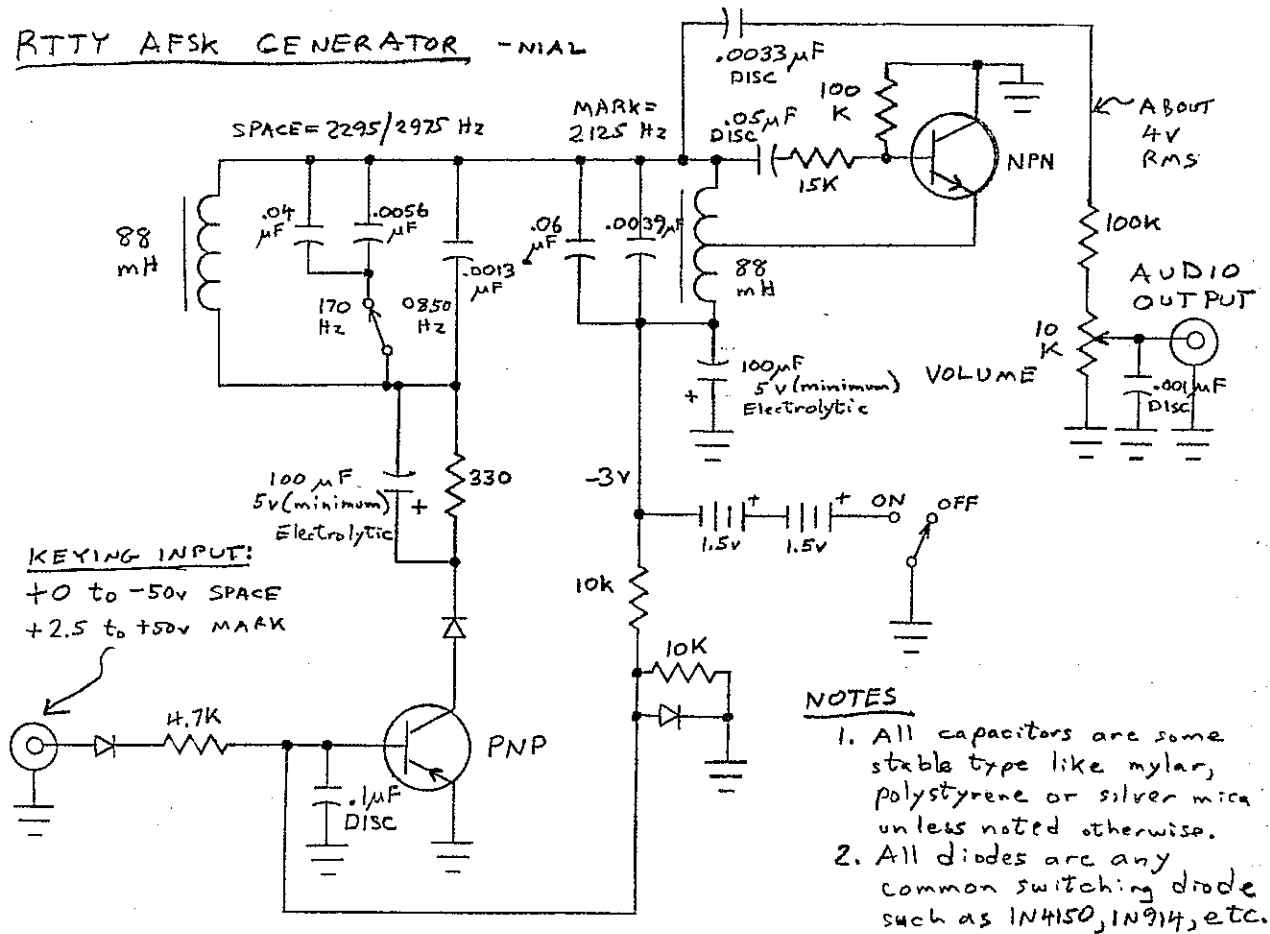
P.O.Box 543

Derry, New Hampshire 03038

You will wish you had. Ask Lyle.

AFSK GENERATOR by AL N1AL

RTTY AFSK GENERATOR - N1AL



If you have easy access to a pair of 88mH toroids, here's a simple, 2 transistor audio frequency-shift keyer you can build. It's basically a Hartley Oscillator operating at Audio Frequency. The transistors can be practically any small audio transistors you have in the junk box. If your keying voltage is of opposite polarity to that shown, just swap the NPN and PNP transistors, reverse the polarity of all three diodes and the two 100µF capacitors, and reverse the battery polarity.

The frequency determining capacitors should not be disc ceramics. You probably won't have the exact values so put a few in parallel and "cut and try". The more capacitance, the lower the frequency. First tune by removing a few turns from the proper toroid- fewer turns= higher frequency. Hook the output to your microphone jack and you're in business.

If you have a good construction project that can be published in Short Skip please send it in with instructions. Transmitter hunting and Jammer Hunting is near, do you have a good Direction Finder?????

SWAP AND SALE

10 Mtr. FM , Comtronix, synthesized 80 Chn, repeater offset. Brand New with warantee, \$220.00 See Don KB6LO, 546-7047.

ANTENNAS-Hy-Gain 205BA-\$150.00, 155BA-\$100.00, 105BA \$85.00, all in excellent condition. Dean. KI60 (916), 366-3892 or (916) 965 4904 eve. Sacramento, Ca.

For Sale: Custom made fancy Call Letter plaques for the shack. Also custom operating consoles to your specifications, Call Don, KB6LO, 546-7047.

Cleaning out your storage space? Call and I will haul any old or electronic material. I am not fussy, I just like junk. See Jerry or Don at 546-7047.

Wanted advertisers in this space call the editor- Hank 823-7885

For Sale: Yeasu World Clock. Both local 12 Hr. time and 24Hr and world cities and countries. Battery operated. Portable. \$25.00. Call Hank at 823-7885.

For Sale: Midland field strength meter. Small size. \$2.50 Call Hank at 823-7885. Also one RCA signal generator WR/49B 85 Kc to 31Mc. AM or CW with cord. \$30.00, 823-7885

For Sale: Kleinschmidt TT107B /FG Reperf for RTTY \$50.00 or best offer. See or Call David WD6AJR, 528-6922

Wanted: Base station power supply for prog. line. GE. Call Hank W6DTV, 823-7885.

For Sale: Panadaptor with Manual. \$10.00 455IF.--Ballantine AC VTVM- Battery operated. 1Mv to 1Kv. Should have builtin power supply. \$10.00 Call Hoppy Sr. 823-7182..

TEN COMMANDMENTS OF ELECTRONICS

1. Beware of the lighting that lurketh in an undischarged capacitor, lest it cause thee to be bounced upon thy buttocks in a most ungentlemanly manner.

2. Cause thou the switch that supplies large quantities of juice to be opened and thusly tagged, so thy days may be long on earthly vale of tears.

3. Prove to thyself that all circuits that radiateth and upon which thou worketh are grounded, lest they lift thee to high-frequency potential and cause thee to radiate also.

4. Take care thou useth the proper method when thou taketh the measure of high voltage circuits so that thou doth not incinerate both thee and thy meter; for verily, though thou hath no account number and can easily be replaced, the meter hath one and, as a consequence, bringeth much woe unto the Supply Department.

5. Tarry thou not amongst those who engage in intentional shocks, for they are surely non-believers and are not long for this world.

6. Take care thou tampereth not with interlocks and safety devices, for this we will incur the wrath of thy seniors and bringeth the fury of the safety officer down about thy head and shoulders.

7. Work thou not on energized equipment, for if thou doeth, thy buddies will surely be buying beers for thy widow and consoling her in ways not generally acceptable to thee.

8. Verily, verily, I say unto thee never service high voltage equipment alone, for electric cooking is a slothful process; thou might sizzle in thine own fat for hours on end before thy Maker sees fit to end thy misery and drag thee unto his fold.

9. Trifle not with radio active tubes and substances, lest thou commence to glow inthe dark like a lighting bug, and thy wife be frustrated nightly and have no further use for thee and thy wages.

10. Commit to memory the words of the prophets, which are written in the instruction books, which giveth the straight dope and which consoleth thee, and thou cannot make mistakes, sometimes, maybe.-- Contributed by VE7FFK
AMATEUR RADIO NEWS SERVICE

General Fund

95-401

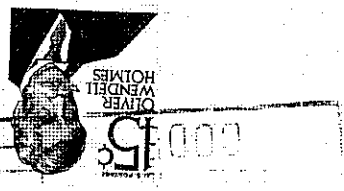
County Road, Ca.

Post Holmes St.
2818

SANTA ROSA, CA. 95402

P. O. BOX 116

SONOMA COUNTY RADIO AMATEURS, INC.



EXPLORER POST 599

Our Explorer Amateur Radio Post has Charter

for another year. Under the leadership of N6DBZ and N6BLN the Post has a heavy program planned. Members of the Post include N6CZJ Steven, KA6DEI Terry, KA6KXJ Scott, KA LFC Mike, and KA6KXK Sid, Plus two other members not yet licensed.

N6DBZ has donated a complete HeathKit Station to the Post and a small corner of the classroom has been set up with the new station.

There will be a meeting held on Jan 21, 81. for organization, with regular meetings to be held on the 2nd, and 4th. Wednesdays of each month. The first meeting of each month will be held at the classroom, the 2nd. meeting, (4th. wed.), will be held on the air. Each licensed member will take turns controlling the net meeting.

Activities planned are; Family night, Scout-O-Rama, and Field Day in June. N6CZJ, Steven Meek has been appointed President-Pro-Tem. until elections can be held.

N6BLN, Lyle