

Sonoma County Radio Amateurs, Inc.

Club Station
W6LFJ

P.O. Box 116
Santa Rosa, CA 95402

Repeater Station
WB6PVS



MAY 83, VOL. 8 #5

A Letter to an Insurance Company

[from The Preacher's Corner, WØFI, Kansas City DX Assn Newsletter, from Sterling-Rock Falls Newsletter.]

THIS HAM IS SITTING AT HIS DESK ANSWERING A LETTER FROM HIS INSURANCE COMPANY...

I am writing in response to your request for additional information in block number three of the accident reporting form. I put "poor planning" as the cause of my accident. You said in your letter that I should explain more fully, and I trust that the following detail will be sufficient.

I am an amateur radio operator. On the day of the accident I was working alone on the top section of my new 80 foot tower. When I had completed my work, I discovered that I had, over the course of several trips up the tower, brought up about 300 pounds of tools and spare hardware. Rather than carry the now un-needed tools and material down by hand, I decided to lower the items down in a small barrel by using a pulley, which fortunately was attached to the gin pole at the top of the tower.

Securing the rope at ground level, I went to the top of the tower and loaded the tools and material into the barrel. Then I went back to the ground and untied the rope, holding it tightly to insure a slow descent of the 300 lbs. of tools. You will note in block number eleven of the accident reporting form that I weigh only 155 lbs.

Due to my surprise at being jerked off the ground so suddenly, I lost my presence of mind and forgot to let go of the rope. Needless to say, I proceeded at a rather rapid rate of speed up the side of the tower. In the vicinity of the 40 foot level I met the barrel coming down. This explains my fractured skull and broken collarbone. Slowed only slightly I continued my rapid ascent, not stopping until the fingers of my right hand were two knuckles deep into the pulley.

Fortunately, by this time, I had regained my presence of mind and was able to hold on to the rope in spite of my pain. At approximately the same time, however, the barrel of tools hit the ground and the bottom fell out of the barrel. Devoid of the weight of the tools, the barrel now weighed approximately 20 pounds. I refer you again to my weight in block number eleven. As you might imagine I began a rapid descent down the side of the tower. In the vicinity of the 40 foot level I met the barrel coming up. This accounts for the two fractured ankles and the lacerations of my legs and lower body.

The encounter with the barrel slowed me enough to lessen my injuries when I fell onto the pile of tools and, fortunately, only three vertabrae were cracked. I am sorry to report, however, that as I lay there on the tools in pain, unable to stand, and watching the empty barrel 80 feet above me...I again lost my presence of mind. I let go of the rope. **73 VP2ML**

President-Al Bloom-N1AL-838-4524---V. Pres.-Spencer Barnes-WA6IXC-526-1514---Sect.-Doug Bender-WA0JRB-526-5131---Treas. Bill Thomas-WD6DXJ-823-9429---Trailer Mgr.-Gene Piety-KH6PP-523-3091---Activities-Al Schmidt-KD6NT-542-4793---Rptr. Chair.-Terry LaDuke--WA6RNF--526-6412---BMAL-Don Osborne-WA6ACX-829-0565---Short Skip-Hank Davis-W6DIV-823-7885---Explorer Post 599---Mike Ter Sarkisoff-N6DBZ-823-8977---Badges and Club QSL-Jim Tower-W6CYM-838-9464---P R News Van Gross-W6GFY-544-3485---DX Watch-Chod Harris-VP2ML-526-2198---SCRA, Inc. PO B 116-SR-95402---

President's Column:

Spring has sprung, to coin a phrase, and it's time for every good hams' fancy to turn to thoughts of antennas, dx-peditions and Field Day. Field Day will be less than two months away by the time you read this, so we need to start thinking of it now. If the members express enough interest, we may run two FD groups this year -- one normal operation for "normal" people who like to talk, eat chips, drink beer and lie around in the sun and one "out for blood" group whose fanatical obsession is to win. I'll be organizing the latter group, so if fanatical devotion to cause sounds like your cup of tea, call me (on '73 or 838-4524).

The program for next month is a slide show with sound recording on the Clipperton Island dx-pedition. Len, K6ANP has previewed the program for us and says it is excellent -- of interest both to hams and non-hams alike. You may want to bring the family to this one.

We definitely will have copies of the latest version of the Constitution and Bylaws at the next meeting and we hope to have copies of the latest club roster as well.

We regret to note that Gene, KH6PP has had to tender his resignation as trailer committee chairman because of a move down into Silicon Valley. We want to extend our thanks to Gene for his willingness to help on this project. The new trailer chairman is Tom N6IFQ (ex WA6JYO). Many thanks to Tom for taking on this job. The trailer is now in Sebastopol at K6MUP's QTH where he will be doing some welding on the frame to lengthen the tongue and mount the generator. Then we will need to do some interior panelling work and install equipment inside. If you can help in this, call Tom at 778-7226.

73 -- de N1AL Al

ANNOUNCING

THE REDWOOD EMPIRE AWARD

REDXA will award the unique, handsome certificate for working amateurs in each of the five coastal counties of Northern California: Marin, Sonoma, Mendocino, Humboldt and Del Norte. Contacts must be made after Jan. 1, 1981, on any HF band 10-160 meters. The award is endorseable by band or mode. Send certified log data with US \$2.00 or 7 IRCs to: The Redwood Empire DX Association, Box 4881, Santa Rosa, CA. 95402.

The certificate is professionally designed, and features the best known symbols of California's North Coast. Behind each drawing is an outline map of each county.

The award is printed on heavy, light blue stock, with Navy Blue and Black inks. It is shipped flat, and will make a welcome addition to any Radio Shack.

*Clubs Ex Chequer -
Repeater Fund \$2000* cutoff level.
General Fund \$1506.51*

W5YI REPORT.....

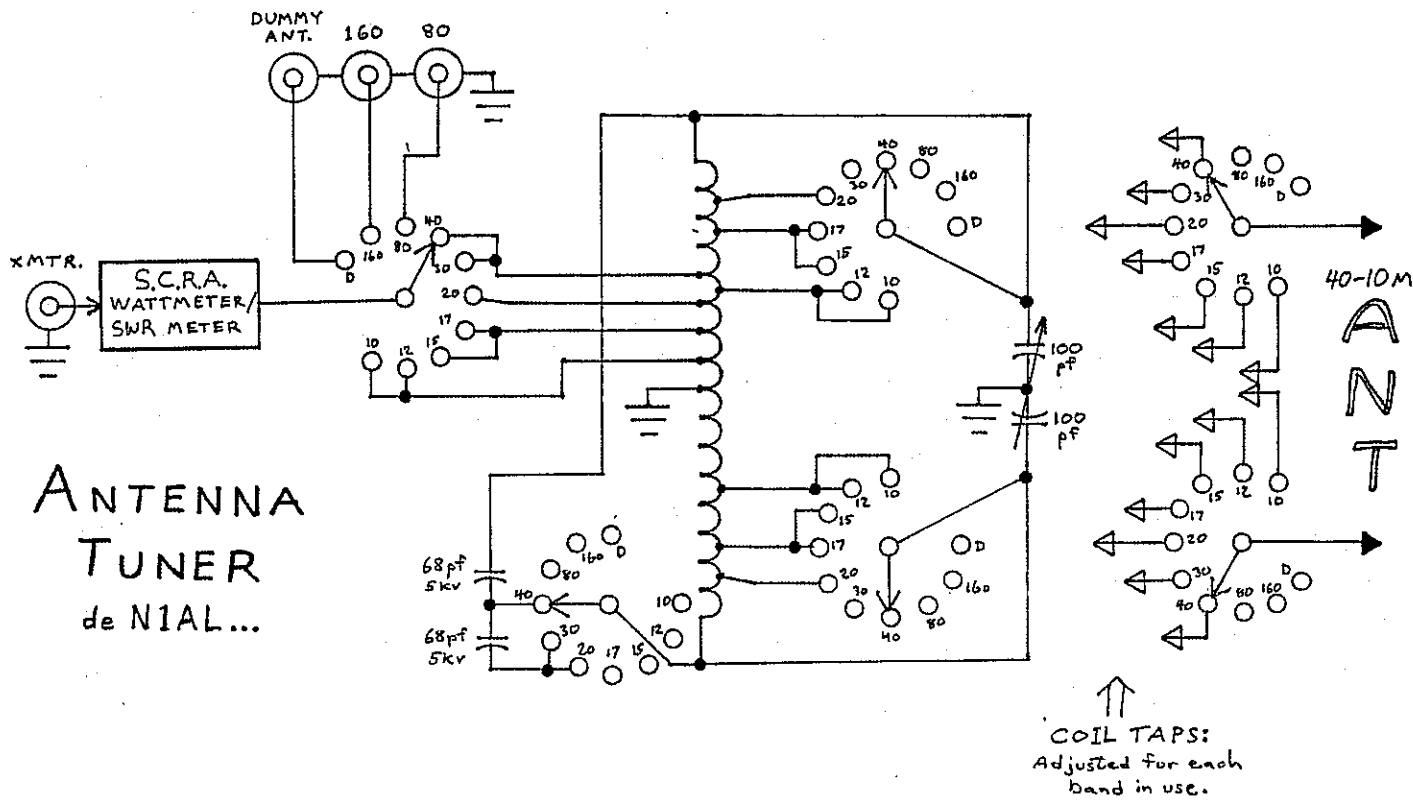
900 MHZ IN JAPAN IS STARTING TO BLOSSOM-according to a recent article in Electronics Magazine. The Japanese EIA (Electronic Industries Association) has started a "Popular ization Promotion Group". Two firms have announced new 900 MHZ equipment.and forty-three Japanese manufacturers have agreed to join the new trade group. Mitsubishi Electric Corporation is introducing a \$466 personal radio that will produce at a rate of 5,000 sets a month and Toshiba Corp., will market at \$650 set offering more features, with production set at 3000 a month, the article said. Japan is the first country to inaugurate a new 900-MHZ FM personal RADIO SERVICE. It hopes the new unlicensed servicewill keep their people from using banned American type CB rigs which are widely used.

PERSONAL COMPUTERS WILL BE ABLE TO QUERY FCC DATA If Jim Mc Kinney, Private Radio Bureau Chief, gets his way. In an interview Broadcasting Magazine, McKinney said that the Commission plans to put more information it keeps on file into a computer data base and is moving in the direction of allowing public portions of this information to be accessed by privately owned computers. He said the FCC will issue a Notice of Inquiry seeking information on how it should go about doing this within the budgetary confines of the Commission.

REVERSAL OF FCC ACTION DENYING ALLOCATION of the new WARC bands at 18.068-18.168 MHZ and 24.890 - 24.990 was recently sought by R.P. Haviland, (W4MB) of Daytona Beach, Florida. In an order denying Haviland's Petition for Reconsideration, the Private Radio Bureau ruled"Since the petition was not filed within the 30 day time period following the release of the dismissal order...it cannot be considered on its merits." The PRB promptly dismissed (denied) Haviland's petition.

FCC NOW AUTHORIZED TO ACT AGAINST COMMERCIAL RADIO OPERATIONS that "advise, equip or otherwise assist illegal communications operations." the same Public Law that authorizes volunteer ham exams and violations monitoring also authorizes the FCC to suspend the commercial radiotelephone license of any operator who in any way helps anyone to get on or remain on the air illegally. The FCC sent out a news bulletin advising the public of this lon March 15th.

WALL STREET JOURNAL TELLS ABOUT NEW RADIO SHACK COMPUTER Sure enough, the Wall Street Journal broke a story about the new Tandy Model 100 - a battery operated \$795 portable. The Wall Street Journal reporter apparently used the new portable to write his story on while traveling back to New York City. The Model 100 has an 8 row by 40 character display with built in programs for text editing, telephone dialing, modem communications and lists of information. Since all programs are in ROM, you don't have to recall them from disk or cassette. It can retain information that has been keyed into memory and a more sophisticated word processing ROM is still in development. Radio Shack can expect some competition from Japanese firms and Apple computer is developing a note book sized computer called the Elf-a \$500 version of the Apple II-E.



ANTENNA
TUNER
de N1AL...

↑
COIL TAPS:
Adjusted for each
band in use.

HOME BREW CONTEST 83

This years Home Brew Contest was won by Our President Al Bloom, N1AL. As the above drawing shows it is a tuner for open wire systems, balanced type. The taps shown on the right side of the drawing are removable taps so the right match can be attained for each band. If you did not get to see it at the last meeting it was a neat job. Each of us should get in there and give it a try.

If you are interested in Computer Nets April QST page 67 may be of help to you.

COMPUTER nets on the Ham Bands--Lark Newsletter

Apple	14.329 Mon. 0100Z	TRS-80 Cent.	7.293 Sun 2100Z
Apple West	7.230 Sat. 1700Z	TRS-80 East	14.342 Sun.2200Z
Apple East	7.260 Sat. 1400Z	TRS-80 West	14.060 Sun 0100Z
Hamnet	14.300 Sun 2100Z	TRS-80 West	14.342 Sun 1900Z
WA6SEK	145.210 Wed 9.p.m.		

THE MOBILEERS CAMPOUT APRIL 16-17 OUR GREAT WAGON MASTER WA6ACX GOT HIS MOBILE RIG WORKING IN THE CAMPER. (ICOM 730) ANSWERING A CQ A CONTACT WAS MADE AND IT WAS GREAT DX---450 FEET OVERALL TO THE OTHER SIDE OF THE TRAILER COURT. HE DID BETTER LATER ON.

MINUTES OF THE APRIL 1983 GENERAL MEETING
(subject to approval at the May meeting)

The General Club meeting was held April 6, 1983 in the EOC of the County Administration Center and called to order at 7:45 pm by Al Bloom, N1AL. Minutes of the March meeting were read and approved.

The Treasurer's report was given by Bill, WD6DXW and approved. The ending balance for the General Fund for March was \$1306.51.

Committee reports as follows:

REPEATER: Terry WA6RNF reported: There are intermittent problems with the repeater, as many have noticed. From a service standpoint, these are the toughest to run down.

There was some discussion on putting up a 6 meter repeater as well as putting up our own 2 meter repeater (the 13/73 machine is owned by Sonoma County). Len, K6ANP suggested that the board look into the issues involved with putting up another 2 meter repeater.

ACTIVITIES: Al KD6NT reported: The March of Dimes Walk-a-Thon has requested that our club provide communications for the event, to be held Sunday, April 24. Two walks are scheduled, one in Petaluma where 6 check points are needed, and the other in Santa Rosa where 5 check points are needed. If you are interested, contact Al, KD6NT.

The Peak Power Meter project will soon be available in kit form and offered by the club (see March Short Skip for schematic). Prices are \$30 for complete kit, \$20 without the box, \$10 for calibrated meter only. See Al, KD6NT also, if you want to make a purchase.

The club has also been asked to provide communications for the "Tin-Man Marathon" to be held in June in Santa Rosa.

TRAILER: Gene Piety, KH6PF, reported: no activity this month due to inclement weather. On April 9th, he and Hoppy, Sr., K6MUP will weld the tongue onto the trailer. Gene also explained that he will be moving to Santa Cruz soon and thus resigned as Trailer Chairman. If anyone is interested, let one of the club officers know.

EDUCATION: Spence WA6IXC reminded everyone that the Novice Class is now being held each Friday at 7:30 pm in the EOC. Al KD6NT is conducting the theory and regulations, Spence is handling the code. Total enrollment is now four.

BADGES: I announced those that had arrived since the last meeting.

QSL and PUBLIC SERVICE COORDINATOR: Jim W6CYM and Van W6GFY were absent.

Old Business:

1. Al, N1AL, reminded everyone that they should renew their ARRL membership and QST subscription through the club; the cost is the same, but the club gets \$2 for each renewal.
2. If you are looking for a callbook, see Al, N1AL. We get a discount for a larger order.

3. An amendment to By-Law #2 was proposed in February so that it now reads: "The fiscal year shall begin March 1 and end on the last day of February. The dues year shall run concurrent with fiscal year." This amendment to By-Law #2 was approved.

An amendment to By-Law #4 was proposed in March. It now reads "The regular meeting of this organization shall be held on the first Wednesday of each month at 8:00 PM unless otherwise specified by the Board and announced in the club newsletter." The amendment would change the time 8:00 PM to 7:30 PM. This amendment was approved.

An amendment to Article 10, Section 5 was proposed in February to add the following: "The income shall mean the net income of each fund concerned in the budget at any time." This amendment was passed.

An amendment to By-Law #4 was proposed in February to add the following: "The annual Christmas party shall take the place of the regular December meeting." This amendment was approved.

4. Al, N1AL attended the Pacific Division Director's meeting, where the Director was directed to vote No on No-Code, Yes on Phone Band expansion, Yes on CW & RTTY modes as the only modes to be used on the 18 and 24.5 MHz bands (whenever we are allowed to use them), and Yes on stronger penalties for Malicious Interference.

5. Al, N1AL presented a draft letter representing the club's views on the Notice of Proposed Rule Making (NPRM) for a volunteer examiner program. It was approved by the membership.

6. The No-Code draft response to the FCC's NPRM representing the club's views was read by Al, N1AL. After some discussion and an amendment proposed by Kathi, WB6UAZ, and seconded by Chuck, N6DDK, the draft letter was approved.

New Business:

1. Warren, WB6RHP reported on the Northern Amateur Repeater Council meeting he had attended. Highlights of the meeting were the lack of enforcement power the council has in coordinating frequency assignments and the proposed use of 20 kHz spacing as opposed to 15 kHz for 2 meters.

The business meeting adjourned at 9:02 pm. The Homebrew Contest was held, with entries from Brian, N6IIY, Al Bloom, N1AL, who won the contest, and Steve, WABLLY.

Doug Bender W0JTB Sec.

SEBASTOPOLS APPLE BLOSSOM PARADE AND APPLE JUICE RUN WERE BOTH GREAT SUCCESSES...RADIO WISE AS WELL AS FINE PROGRAMS..W6CCY, KA6DEI,N6BFY, N6FYV, WD6FMG, W6ECU, W6BNB, WA6ACX, KP6FX, N6GMJ, N6FAX, W6DIV, N6DBZ... ALL HELPED WITH THE TWO EVENTS IN SEBASTOPOL. CONGRATS FROM DON PELLICINI OF THE CHAMBER OF COMMERCE AND STAN HOLLEY COMMITTEE CHAIRMAN, APPLE JUICE RUN. EXTENDED THANKS TO ALL .

14-MHZ HAM VOICE PRIVILEGES EXPANDED.....

THE THREE YEAR BATTLE FOR EXPANDED 20 METER PHONE SPECTRUM IS OVER. AT THE REGULARLY SCHEDULED FCC COMMISSIONER'S AGENDA MEETING ON MARCH 31, THE FCC INCREASED THE 14-MHZ AMATEUR TELEPHONY SUBBAND BY 50MHZ TO INCLUDE U.S. AMATEUR VOICE OPERATION DOWN INTO THE FOREIGN PHONE BAND. IN AMENDING PART 97 OF THE RULES, THE COMMISSION NOTED THAT "THE SMALL POTENTIAL IMPACT ON THE ON THE TELEPHONY SUBBAND EXPANSION ON NON-U.S. OPERATORS IS OUTWEIGHED BY THE NECESSITY TO ALLEVIATE THE EXTRAORDINARY OVERCROWDING U.S. AMATEURS CURRENTLY FACE IN THE 14MHZ BAND." ACTIVE DATE IS MAY 22 AT 0001Z.

LIC. CLASS	NEW TELEPHONY SUBBAND	ADDITIONAL SPECTRUM
EXTRA	14.150-14.350 mhz	50khz
ADVANCED	14.175-14.350 mhz	25 khz
GENERAL	14.225-14.350 mhz	50 khz

FROM W5YI REPORT

USING THE AMATEUR RADIO SATELLITES, PART 111

BY

STEVE LUND, WASLLY

RECEIVING THE SIGNALS FROM THE MODE A TRANSPONDERS IS QUITE SIMPLE. ANY HF RECEIVER CAPABLE OF RECEIVING CW OR SSB ON 29,300 TO 29,500 MHZ WILL DO.

MANY OF THE OLDER TUBE TYPE RECEIVERS HAVE INSUFFICIENT GAIN ON THE 10 METER BAND. CONSEQUENTLY A PRE AMPLIFIER IS NECESSARY. A NUMBER OF MANUFACTURERS, SUCH AS LUNAS, HAMTRONICS, AND ADVANCED RECEIVER RESEARCH, PRODUCE EXCELLENT 10 METER PRE AMPS. IF YOU DECIDE TO BUILD YOUR OWN, BE CAREFUL IF YOU USE THE RCA 40673 DUAL GATE MOSFET. ALL PUBLISHED CIRCUITS OSCILLATE UNLESS A FERITE BEAD IS SLIPPED OVER THE G2 (gate 2) LEAD.

THERE IS SOME CONTROVERSY OVER THE BEST ANTENNA FOR MODE A RECEPTION. FOR THE BEGINNING SATELLITE USER I'D SUGGEST STARTING WITH A SIMPLE ANTENNA THAT DOESN'T NEED TO BE ROTATED. THE BEGINNER HAS ENOUGH PROBLEMS TRYING TO SEND CW WHILE ADJUSTING THE RECEIVER AND TRANSMITTER DIALS TO CORRECT FOR DOPPLER SHIFT.

I PREFER THE FULL WAVELENGTH LOOP. THIS IS ESSENTIALLY A ONE ELEMENT QUAD FLOPPED OVER ON ITS BACK. IT WORKS FINE MOUNTED 8 FEET OR HIGHER ABOVE THE GROUND. AT MYOOTH IT IS WRAPPED AROUND THE SHACK. THIS SIMPLE ANTENNA WAS SUFFICIENT FOR SATELLITE WAS. ITS MAIN ADVANTAGES ARE THAT IT RECEIVES WELL ON OVERHEAD PASSES AND IT'S UNNECESSARY TO TRACK THE SATELLITE.

MANY OPERATORS PREFER THE YAGI. DURING ANY DAY, A SATELLITE SPENDS MUCH MORE TIME AT 30 DEGREES ABOVE THE HORIZON OR LESS. THIS FAVORS THE YAGI OVER THE FULL WAVELENGTH LOOP. THE ONLY DISADVANTAGE TO THE YAGI IS THAT YOU MUST KEEP IT POINTED AT THE SATELLITE.

TWO METER TRANSMITTER AND ANTENNA REQUIREMENTS WILL BE PRESENTED IN PART IV.

WANTS-SWAP-SALE.....

WD5FXW --762-4087--SALE LIN. AMP. 813 pr.-1000 WATTS -PWR. SUP.-HOME BREW. \$100.00

KS6W GEO-528-0201-WANTS A PROGRAMABLE TWO METER FM.

W6LIQ STEVE -539-3106, FOUR EL QUAD, THREE BAND BY GEM, FOR SALE.

FIELD DAY? FIELD DAY? FIELD DAY?

IS ANY ONE INTERESTED IN FIELD DAY THIS YEAR? THERE IS A NEED FOR A CHAIRMAN TO PUT THE PROGRAM TOGETHER. NEED A COOK ALSO. NEED A SITE. NEED EVERYTHING.

EVENTS AROUND AREA.....

JULY 4th PARADE AT SONOMA, 9AM TO 12NOON. IF YOU CAN HELP CALL N6KM.

PACIFIC DIVISION CONVENTION, RENO MGM, AUGUST 19-21.

JUNE 25-26 SAT/SUN FIELD DAY-ANYONE INTERESTED CALL AL N1AL

SONOMA SWAP AUGUST THE 14th. COMMUNITY CENTER.

MAY 1st. ROSEVILLE SWAP .

Radio Shack

STORE NO. 3855

ZANE BATES
MANAGER

510 FARMERS LANE
SANTA ROSA, CA. 95405

TELEPHONE
546-8423

THE CLUB HAS A NEW TRAILER CHAIRMAN, TOM BEVIL JR. HIS OLD CALL IS W6JYO..WE WISH TO THANK GENE KH6PP FOR THE TIME HE SPENT AS CHAIRMAN. WE HOPE HE FINDS NEW FRIENDS IN THE SANTA CRUZ AREA. HOPPY SR. HAS THE TRAILER NOW AND IS IN THE PROCESS OF REDOING THE TONGUE FOR BETTER BALANCE, AND A PLACE FOR THE GENERATOR TO MOUNT.....

SONOMA COUNTY RADIO AMATEURS, INC.

P. O. BOX 116

SANTA ROSA, CA. 95402

FIRST CLASS MAIL

HOPPY BRAVIN
WD6CKP
3411 COFFEY LANE
SANTA ROSA CA 95401

