

PG. 2

1984 OFFICERS.....

PRESIDENT.....JIM TOMER...W6CYM
838-9464

V. PRESIDENT..DOUG. BENDER...WAØJRB
526-5131

SECT.....KATHY BOYETT...WB6UAZ
544-7943

TRES.....BILL MEYERS...K6TCD
539-1489

BOARD MEMBER

AT LARGE.....CHUCK SABIN...N6DDK
795 2371

ACTIVITIES....STEVE SCHAFFER...KD6GC
546-8860

REPEATER

CHAIRMAN.....AL BLOOM...N1AL
838-4524

SHORT SKIP....HANK DAVIS...W6DTV
SARAH DAVIS...N6PAX
823-7885

CLUB REPEATER..WB6PVS..146.73..CLUB STATION
W6LFFJ.

CLUB MEETS FIRST WEDNESDAY EACH MONTH EXCEPT
DECEMBER. OFFICE OF EMERGENCY SERVICES
PLANNING ROOM, SANTA ROSA, CA.
MAILING ADDRESS..P.O.BOX 116 SANTA ROSA,CA.
95402.

RACES MEETS FIRST MONDAY AND THIRD MONDAY
OF EACH MONTH, 7PM. ON LOCAL FREQUENCY.
ADIM. FREQUENCY 146.73 AT 7:30 PM.

THE FOLLOWING ARE IN CHARGE OF LISTED
ACTIVITY:

REFRESHMENTS AT MEETINGS: BOB OLSTEN

RAFFLE CHAIRMAN: LYMAN WILSHIRE

TERRY LA DUKE CONDUCTS

CLUB PICNIC: STEVE SCHAFFER

CHRISTMAS PARTY: DOUG BENDER, SCHAFFER ADV.

FLEA MARKET: AL BLOOM

FIELD DAY: TERRY LADUKE, STEVE LUND

CHUCK SABIN COOK

EDUC. COMM: GEORGE SHEDORE, LEN GERALDI

HOMEBREW CONTEST: STEVE LUND

WALKATHONS: AL SCHMIDT, CHUCK SABIN, AL

BLOOM

PROGRAM CHAIR: AL SCHMIDT

POT LUCK: DON & IRMA OSBORNE/PEMBERTON

HIDDEN XMTR. HUNT: AL SCHMIDT

GREETER AT MEETINGS: PAT SCHAFFER

QSL MANAGER: JIM TOMER

COMPLETE RULES ARE ON PAGE 79 OF JAN. QST.
WASLLY CAN SUPPLY LOG FORMS. LAST YEAR SF
SECT. WAS VERY POORLY REPRESENTED. HOW
ABOUT A FRIENDLY CLUB CONTEST. SPECIAL
CERTIFICATES WILL BE AWARDED TO THOSE THAT
WORK THE MOST NOVICE/TECH DURING THIS YEARS
NR. I HOPE TO WORK MANY OF YOU STEVE.

THE PRESIDENTS MESSAGE

I WAS VERY PLEASED TO FIND SUCH A FINE
TURNOUT AT OUR REGULAR JANUARY MEETING.

THE HARDEST WORKING PERSON AT THAT MEETING
WAS KATHY BOYETT, OUR NEW SECRETARY, WHO GOT
SWAMPED BY MEMBERS PAYING THEIR 1984 DUES AND
BY SEVERAL NEW MEMBERS WHO JOINED THAT EVENING.
GOT YOURS IN YET? OUR ACTIVITY CHAIRMAN FOR
1984, STEVE SCHAFFER, WAS ABLE TO FILL ALL THE
COMMITTEE CHAIRS. HE DIDNT HAVE TO TWIST ANY
ARMS AND SWORE THAT THE SUN WOULD RISE IN THE
WEST ON THURSDAY MORNING. I'M SURE THAT THESE
COMMITTEE CHAIRMAN WILL HARVEST YOUR NEEDED
HELP. HOW ABOUT GETTING ABOARD? LET'S SEE IF
WE CAN'T MAKE THIS THE BEST CLUB IN THE COUNTRY!
IT IS YOUR CLUB. BE PROUD OF IT!

HOW ABOUT BRINGING YOUR HAM FRIENDS, WHO
ARE NOT CLUB MEMBERS, TO THE MEETINGS WITH YOU?
THEY JUST MIGHT SEE FIT TO JOIN UP.

ANYWAY, JUDGING FROM THE ATTITUDE OF THOSE
PRESENT AT THE MEETING THIS IS GOING TO BE A
GOOD YEAR. THANKS TOM.

W600, GORDON C. FARMER OF SANTA ROSA, CA.
PASSED AWAY. WE ENJOYED GEO. AS WE CALLED
HIM. HIS BOOKS WILL CARRY ON HIS NAME. REST
IN PEACE GEO.

DATELINE: VALLEY OF THE MOON.

THINGS ARE HAPPENING IN THE EMERGENCY SER-
VICES. WE HAVE BEEN MEETING REGULARLY WITH THE
VALLEY HOSPITAL STAFF AND THE FIRST AID STATIONS
HAVE BEEN DESIGNATED. OPERATIONS PLANS ARE TEN-
ATIVE AND WE HAVE A PRETTY GOOD IDEA HOW WE WILL
FUNCTION AS HAMS. MONTHLY UPDATES WILL APPEAR
REGULARLY IN THE SHORT SKIP AND DISCUSSIONS WILL
BE HELD ON THE 146.730 NET ON THE 1st AND 3rd
MONDAYS OF THE MONTH AT 7:30 PM. VOM HAMS PLEASE
CHECK IN ON 147.470 SIMPLEX AT 7:00 PM ON THE
ABOVE NIGHTS. CB TYPES HAVE BEEN DISORGANIZED
AND UNDEPENDABLE, THEY WILL BE TRAINED AND USED
IF WE CANNOT RECRUIT ENOUGH HAMS TO MAN THE
SERVICE. SEYMOUR..W6FPL

NOVICE ROUNDUP BY STEVE LUND WASLLY

INTERESTED IN CONTESTING? WOULD YOU LIKE
TO ENTER A CW CONTEST, BUT THE 40 WPM SPEED
MERCHANTS SCARED YOU OFF IN THE SWEEPSTAKES?
WOULD YOU LIKE TO HELP A NOVICE?

YOU CAN DO ALL OF THESE AND MORE IN THE
ANNUAL ARRL NOVICE ROUNDUP. THIS HAS BEEN A
FAVORITE CONTEST OF MINE FOR SEVERAL YEARS. THE
COMPETITION IS VERY FRIENDLY AND EVERYONE HAS
THE SAME POWER LIMIT.

THIS YEARS NR STARTS AT 4PM ON FRIDAY, 27
JANUARY AND ENDS AT 4PM ON SUNDAY, 5 FEBRUARY.
EXCHANGE A SIGNAL REPORT AND ARRL SECTION.
NOVICES ADD /N TO CALL. TECH. ADD/T TO THERES.

MINUTES OF THE JANUARY 1984 GENERAL MEETING
(subject to approval at the February meeting)

The General Club meeting was held on January 4, 1984 at the EOC of the County Administration Center and was called to order at 7:30 p.m. by Jim, WECYM.

Minutes of the November, 1983 meeting were approved as printed in the December issue of Short Skip. The treasurer, Bill, K6TCD, was unable to attend the meeting and the club was referred to the figures printed in the January, 1984 issue of Short Skip.

COMMITTEE REPORTS

REPEATER:

ACTIVITIES: Steve, K6EGC, will be asking ten individuals to help in the different activities of our club during the break tonight.

COMMUNICATIONS TRAILER: Hank, W6DTV, reported that the license had now been changed on the generator trailer.

EDUCATION COMMITTEE: It was reported that 8 new Novices have passed their tests and are awaiting their call signs. There are plans for another Novice class to begin in January as well as up-grade classes through the General license.

Terry, WA6RNF, mentioned that you are no longer able to go down to San Francisco on any Wednesday to take the FCC test. The new procedure calls for you to file a 610 Form with the FCC to set an appointment for the test which will only be offered four times (once a quarter) during the year.

BADGES: Doug, WA0JRB, read the names of those that we have badges for. New members will get theirs automatically upon joining the club and paying dues.

QSL: We have received two QSL cards from Field Day from a QSL bureau in Oregon. They have been answered.

PUBLIC RELATIONS: Van, W6GFY, has arranged for a public service advertisement to be aired on Channel 50 sometime this coming week.

NEW BUSINESS

CHRISTMAS PARTY: Thanks was expressed to Steve, K6EGC, for a superb Christmas Party this year!

MEMBER OF THE YEAR AWARD: Hank, W6DTV, was again presented as the Member of the Year. The plaque was passed around the room for all to examine. Congratulations, Hank!

CHRISTMAS PARTY REPORT: Steve, K6EGC, was given an advance of \$450.00. Ticket sales brought in \$281.00, the turkey raffle brought in \$18.00, and there was \$189.55 unspent that was returned for a total of \$488.55 giving us a profit of \$38.55 on the Christmas Party this year. Good work Steve, K6EGC, and Pat, KF6AG!

MEMBER-AT-LARGE: The member-at-large this year is Chuck, N6DDK. All business from members to be brought to the Club's Board should be given to him to present for them.

VOLUNTEER EXAMINER: The Club agreed that it wanted to participate in the Volunteer Examiner Program set up by the ARRL. A sheet was sent around the room for those people to sign that would be interested in helping. This list will then be sent to the ARRL.

1984 CALL BOOKS: Be sure to check your books carefully. Lyman, WBESYM, found his book to be defective and had to return it for a new copy.

HOME BREW CONTEST: This year's contest will be held at the April General Meeting. Steve, W8Lly, will again be in charge of the contest. More information will be given later in Short Skip.

NOVICE ROUNDUP FRIENDLY CONTEST: It was VOTED that certificates would be awarded for the different categories. This contest will be held for a week at the end of January.

MEMBERSHIP APPLICATION FORMS: Forms were passed around to all present at the General Meeting to be filled out and returned. Dues are not required until March 1.

COMMITTEE CHAIRPERSONS: The following people have agreed to serve as committee chairpersons as noted--Coffee & Donuts - Bob, W6DPE; Raffle - Lyman, WBESYM; Picnic - Steve, K6GC & Pat, K6AG; Christmas Party - Doug, WA0JRB; Flea Market - Al, N1AL; Field Day - Steve, W8Lly & Terry, WA6RNF; Education - George, K6EW; Home Brew Contest - Steve, W8Lly; Walk-A-Thons - Al, N1AL, Chuck, N6DDK, Al, K6ENT, & Steve, K6GC; Programs - Al, K6ENT; Potluck - Don, W8ACX & Irma, K6FX; QSL - Jim, W6CYM.

PROGRAM

Al, K6ENT, was in charge of the program tonight. He discussed and showed the different antennas that could be used on the Turkey Hunt that is scheduled for Saturday, January 21. Such antennas as a simple dipole, a 2-element Yagi, etc. were passed around for the members to examine. Also, Hank, W6DTV, brought one that he made from a project shown in QST (refer to past Short Skips).

The Turkey Hunt will be held on Saturday, January 21, beginning at 2:30 and lasting until 4:30. We are to meet in the parking lot of Railey's supermarket in Windsor. The hunt will take place on 146.94 simplex. When we are all done, we will rendezvous at the Round Table Pizza by Coddinstown to discuss our successes!

The raffle brought in \$31.00 tonight.

The membership lottery of \$11.90 was lost by Don, K6HQ!

-- Kathi, W6UAZ - Secretary

PG. 5.

WSYI REPORT.....

FCC IMPLEMENTS WARC FINAL ACTS---ORDER ISSUED

THE FCC PREPARED FOR IMPLEMENTATION OF THE FINAL ACTS BY ISSUING FIVE NOIs AND FINALLY A NOTICE OF PROPOSED RULEMAKING (NPRM). ON DECEMBER 8th, 1983, THE COMMISSION RELEASED A (2920 PAGE REPORT AND ORDER IMPLEMENTING THE FINAL ACTS... THE LAST RULEMAKING ACTION IN THE UNBELIEVABLY AWESOME JOB OF REVISING THE TABLE OF ALLOCATIONS THAT BEGAN A DECADE AGO. IT PROBABLY WILL NOT BE DONE AGAIN IN THIS CENTURY.

TEN YEAR HAM LICENSES BEING ISSUED....

THE COMMISSION HAS COMMENCED ISSUING NEW, MODIFIED AND RENEWAL AMATEUR RADIO STATION LICENSES FOR TEN YEAR TERMS. THE LONGER TERM LICENSES WERE AUTHORIZED IN RULE AMENDMENTS ADOPTED BY THE COMMISSION ON OCTOBER 6, 1983.

THE COMMISSION EMPHASIZES THAT THE TEN YEAR LICENSE TERM IS NOT A BLANKET EXTENSION OF EXISTING STATION AND OPERATOR LICENSES. AN AMATEUR LICENSE THAT SPECIFIES LESS THAN A TEN YEAR TERM WILL SHOW A TEN YEAR TERM ON THE FACE OF THE LICENSE WHEN IT IS EITHER MODIFIED OR RENEWED.

FCC REPORTS...

FCC REPORTS THAT THEY ARE NOW TAKING 16 WORKING DAYS TO PROCESS A HAM LICENSE.

NO CODE HAM CLASS DENIED...PROCEEDING TERMINATED.....

PRIVATE RADIO BUREAU ON "NO-CODE".."IT IS OF MAJOR SIGNIFICANCE TO THE AMATEUR RADIO SERVICE," HE SAID. "BASICALLY, I VIEW THE ITEM AS A REPORT ON THE HEALTH OF THE AMATEUR RADIO SERVICE IS WELL...IT'S THRIVING AND IS PROVIDING AN EXCELLENT SERVICE TO THE AMERICAN PUBLIC. THE ITEM BEFORE YOU IS GENERATED BY EARLIER COMMISSION PROMISES IN SEVERAL PROCEEDINGS TO EXAMINE WHETHER AN INDIVIDUAL NEEDS TO DEMONSTRATE MINIMAL PROFICIENCY IN THE INTERNATIONAL MORSE CODE BEFORE BECOMING AN AMATEUR LICENSEE."

IN CONCLUDING HIS OPENING PRESENTATION BEFORE THE COMMISSIONERS, FOOSANER SAID THE PRB HAD NO ALTERNATIVE BUT TO "...STRONGLY RECOMMEND THAT WE RETAIN THE CODE REQUIREMENT. WE ENDORSE THE SERVICE AS IT IS AND BURY THE CONCEPT OF 'NO-CODE.' THANK YOU.

W5LFL RESULTS....

THE FIRST TRANSCRIPT OF THE SHUTTLE TAPE SHOWED ABOUT 300 CONTACTS..IT HAS NOT BEEN RELEASED AS YET..ARRL IS TO RETRANSCRIBE THE TAPE AND TRY TO LIST ABOUT TEN PER CENT MORE. WE ALL SHOULD KNOW SOON.

HOME BREW CONTEST ANNOUNCEMENT

THE ANNUAL SCRA HOME BREW CONTEST WILL BE THE MAIN FEATURE OF THE APRIL MEETING. AS IN THE PAST JUST ABOUT ANYTHING CAN BE ENTERED AS LONG AS IT IS ORIENTED TOWARD AMATEUR RADIO. THIS INCLUDES COMPUTER PROGRAMS.

THE PROJECTS NEED NOT BE STATE OF THE ART. IN FACT A PAST WINNER WAS A KEY BUILT FROM A HACK SAW BLADE! AN ENTRY FORM AND SCORING SHEET WILL BE PUBLISHED IN THE APRIL SHORT SKIP.

GET OUT THAT SOLDERING IRON AND GET THAT PROJECT STARTED.

MOBILEERS...CHECK YOUR BATTERY CONNECTIONS NOW AND THEN TO BE SURE THEY ARE GOOD AND TIGHT. A REAL LOOSE CONNECTION CAN CAUSE TROUBLE. BATTERY CURRENT FOR STARTING CAN TRY AND RETURN THROUGH THE NEGATIVE CIRCUIT OF YOUR TWO METER RIG. (THIS CAUSED THE BURNING OF THE GROUND CIRCUIT IN ONE UNIT) FUSES IN BOTH NEG. AND POS. LEADS WOULD HELP.

WESTLINK...

FCC JOINS RADIO AMATEURS IN ANTI-JAMMING PROJECT: AN UNPRECEDENTED JOINT FCC AND AMATEUR ANTI-INTERFERENCE PROJECT WAS BEGUN IN CHICAGO OCTOBER 19th BY THE FCC'S LOCAL FIELD OFFICE. THIS WILL BE ON A TRIAL BASIS TO SEE HOW AMATEUR AND FCC COOPERATION CAN BE WORKED OUT. I HOPE IT CAN MOVE OUT TO THE COAST AREA. ED. TNX THE ELECTRON

CLUB MEMBER OF THE YEAR--1983

As chairman of the Club Member of the Year committee, it is my pleasure to announce our selection. Let's review the criteria for making our decision.

One, the candidates were judged on their standards of operating ethics and practices. This year's selection, in addition to being very active on HF and 2 meters, has continually demonstrated an operating style and candor that is the example for all of us to achieve, particularly during emergency operations. In one of the letters we received, it stated that this individual is "always ready to help a fellow amateur with antenna information, or just plain encouragement."

Second, the candidates were compared based on their individual achievements in Amateur Radio. The top candidate is currently an Extra Class licensee, a holder of the 2nd Class Commercial Radiotelephone license, has received WAS (Worked All States), WAC (Worked All Continents), and an award from the American Red Cross for public service. This individual has received 10 Public Service Awards from the ARRL (American Radio Relay League). Additionally, this individual has received an award from the Sonoma County Board of Supervisors for over 15 years of active service and dedication to Civil Defense in the county. This list is not exhaustive and represents only a sampling of the recognition this individual has received.

Third, the candidates were ranked in their participation in Club Activities. This category was considered to be the most important in the committee's view. The committee's selection has been an ACTIVE member in the club for over 35 years, and has participated in numerous Field Day's, Christmas Parties, the Flea Market, and other club activities, not just as a spectator watching other people do the work, but as an active volunteer in helping the club make the event a success. At one time or another, the top candidate has served in virtually every club office. Related to the club's affiliation with the ARRL, this individual currently serves as the Emergency Coordinator for Sonoma County as well as being a member of the Western Sonoma County Disaster Support Team.

How many hours each month do YOU spend in supporting the club? The Club Member of the Year typically spends 8 to 16 hours every month--working on Short Skip.

It is a great pleasure to inform you of the committee's decision: HANK DAVIS, W6DTV.



Doug Bender
WAOJRB

SWAP.....SALE.....WANT.....GIVE AWAY.....

N6DNB..GLEN, 938-5986, OR 6.73 RPTR. DGM..MVG..1000, RTTY TU FOR SALE
 KS6W...GEO., 528-0201, WILSON VERTICAL 10/40 MTR. \$25.00
 WB6NBR..RON, 545-3813, HAS A 901 D FOR SALE INTERESTED CALL.

CLUB CALENDAR.....

MONTH	PLACE	TIME	ACTIVITY
APRIL	CLUB MEETING	7:30 PM	HOMEBREW CONTEST
JAN 21st.	RALEY'S WINDSOR	2:30 PM	TRANSMITTER HUNT
MARCH	CLUB MEETING	7:30PM	DUES
JULY, 28th.	DOYLE PARK, SR.	12:00 ON	CLUB PICNIC, CHILLI CONTEST
JUNE, 23-24	UNKNOWN	24 hr.	FIELD DAY
JULY, 4th.	KENWOOD	8:00 AM	KENWOOD RUN AND PARADE
AUGUST	GREAT AMERICA	?	ARRL CONFERENCE, SAVE
SEPTEMBER, 15th.	SEBASTOPOL COMM.	8:00 AM	ANNUAL FLEA MARKET
OCTOBER	MEETING	7:30 PM	OFFICER NOMINATIONS
"	MARQUE ?	?	FUND RAISER
"	MEETING	7:30 PM (BY)	DEAD LINE FOR MEMBER OF THE YEAR AWARD
NOVEMBER	MEETING	7:30 PM	ELECTIONS
DECEMBER	XMAS PARTY	6:00 ON (PM)	NEW OFFICERS ANNOUNCED, AWARDS, GOOD TIME

THIS WILL BE UPDATED EACH MONTH.

HUMBOLDT COUNTY EMERGENCY FREQ.....145.55 simplex. 24 hrs.

IF YOU WOULD LIKE TO HELP REPAIR THE STATUE OF LIBERTY SEND TO P.O.BOX 1986 NY. NY. 10018
 NOVICE CLASSES AND UP.....

START FEB. 2,84 7:00 PM EOC , CLUB MEETING ROOM, IF ENOUGH INTEREST WILL GO ON TO GEN AND
 ADVANCE AND EXTRA..ADVANCE REGRISTRATION NECESSARY, PHONE (PET. AREA)762-0468, SR AREA
 528-0201. THERE WILL BE A FEE TO COVER MATERIALS.

IF ANY OF YOU WISH TO OBTAIN ANY OF THE JARL AWARDS YOUR ED. HAS THE LIST AT HOME AND A
 PHONE CALL WILL GET YOU THE INFORMATION.

Have you ever turned your car lights on during a rainy or foggy day's drive, parked the car at journey's end, and returned later to find a dead battery because you had forgotten to turn the lights off when parking? This little circuit goes together in a half hour, costs under three dollars, and hooks up to the car in a few minutes. With it the above scenario will never happen to you again.

Construction

The circuit schematic is shown in fig. 1. A convenient way to put the headlight reminder together is on a little piece of perf-board, wiring the few parts to push-in terminals. When the whole thing is built and hooked up, tape or clamp it to a convenient wiring harness under the dash near the fuse panel. All parts are garden variety Radio Shack items. Nothing is critical; use your junk box.

Radio Shack
 STORE NO. 3855
ZANE BATES
 MANAGER
 510 FARMERS LANE
 SANTA ROSA, CA. 95405
 TELEPHONE
 546-8423

Installation

You should be able to install the circuit right to the fuse panel. As shown in fig. 2, connect point (A) to the instrument panel light fuse on the load side of the fuse. Connect point (B) to some accessory terminal on the panel which is controlled by the ignition key. On some cars the radio fuse is a good place, but on others, such as a late model Chevy Malibu, it isn't,

because there appears to be a filter capacitor across the radio power line which holds up the voltage for quite a while after removing the car key. Whatever point you pick, the voltage on this point should disappear immediately upon removing the car key. On GM cars there are several such terminals on the fuse panel. If you don't have a voltmeter or a test lamp, the reminder circuit itself can be used as a test set. Simply ground point (C), leave point (B) disconnected, and use point (A) to probe with. A "hot" terminal will sound the buzzer.

Operation

When the lights are on and the engine or ignition is on, transistor Q1 is on, grounding the base of Q2, and shutting off both Q2 and the buzzer. Should the lights remain on when the key is turned to the off position, point (B)'s voltage will disappear, turning off Q1, and allowing base current to flow through R2, turning on both Q2 and the buzzer. Of course, if the

DUES ARE DUE AND PAYABLE
CUT OFF MARCH MEETING

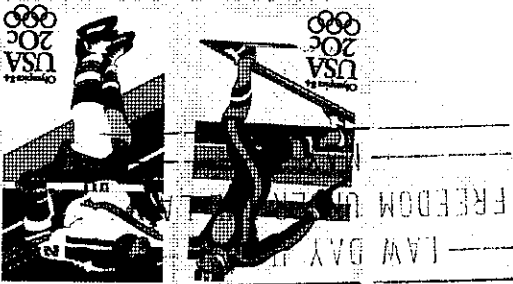
FIRST CLASS

SANTA ROSA, CA. 95402

P. O. BOX, 116

SONOMA COUNTY RADIO AMATEURS, INC.

HANS BERG
DJ6TJ
MENGSTR 37
2400 LUEBECK
WEST GERM



PG. 8

A SIMPLE HEADLIGHT REMINDER, BY ED SOLOV, K2SE--SEE PAGE 7 (TNX BEN ALI)

lights are off, point (A) is not energized and the whole circuit is inoperative.

Conclusion

I have built and installed perhaps a dozen of these circuits in my own and friends' cars and they have been 100% successful. Now on a rainy or foggy day I always turn on my lights without having to fear my absentmindedness leading to a dead battery.

11

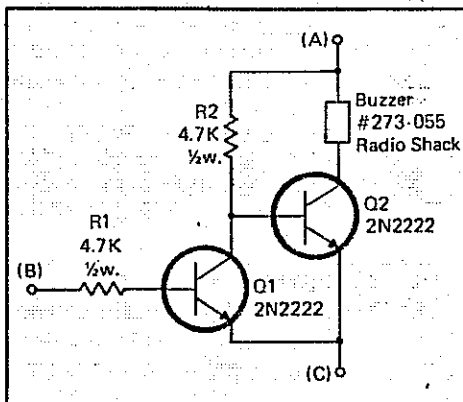


Fig. 1- The circuit for the simple headlight reminder.

