

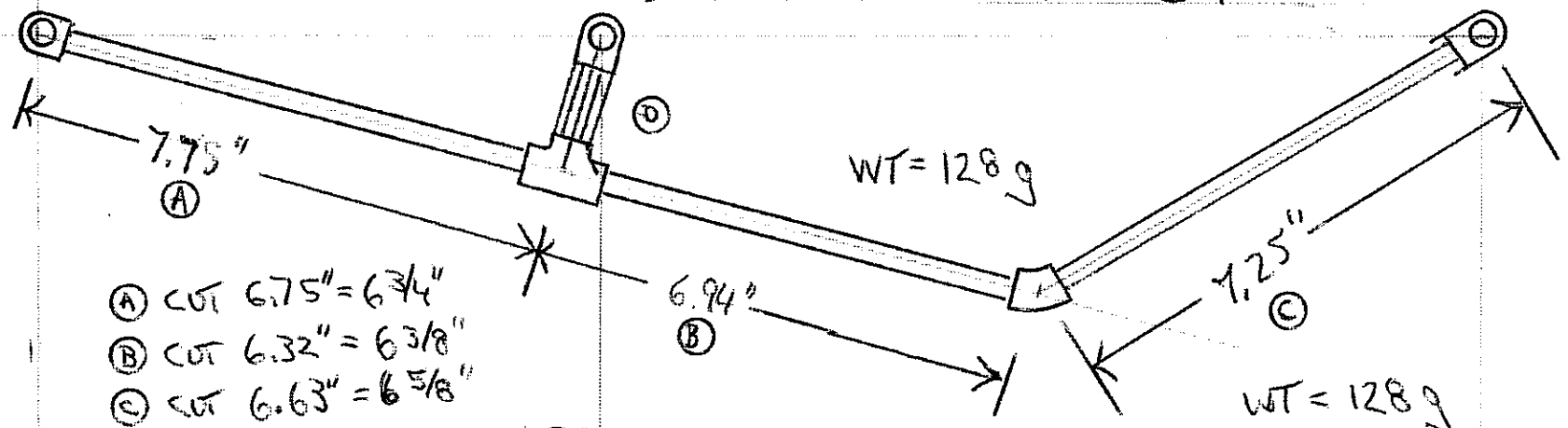
- (A) CUT 4.0"
- (B) CUT 4.0"
- (C) CUT 11.3" = 11 3/8"
- (D) CUT 1" (CLOSE COUPLED)

WT = 127 g

CPVC TAPE MEASURE ANTENNA

TRADITIONAL DESIGN IS PVC 1/2", WT = 152 g

MATERIALS: 4 TEES CPVC 1/2"
 1 45° ELBOW CPVC 1/2"
 2 FT 1/2" CPVC PIPE



- (A) CUT 6.75" = 6 3/4"
- (B) CUT 6.32" = 6 3/8"
- (C) CUT 6.63" = 6 5/8"
- (D) CUT 1" = CLOSE COUPLED

WT = 128 g

WT = 128 g

M. VON DER PORTEN AD6YB
 27 MARCH 2010